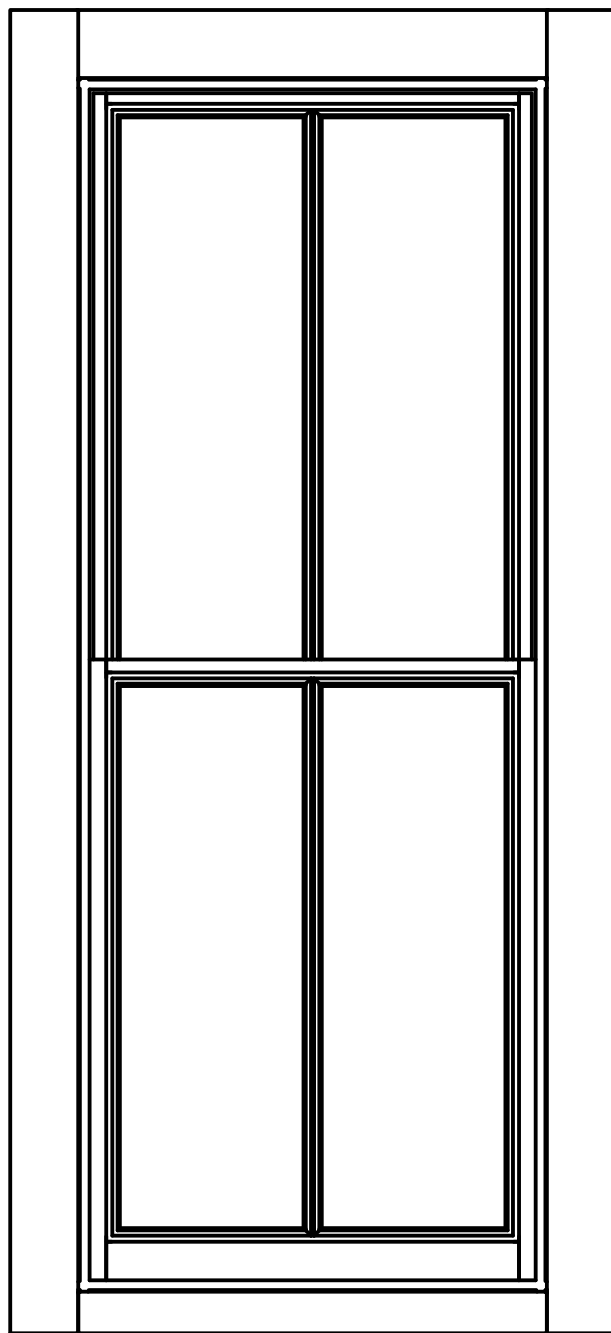
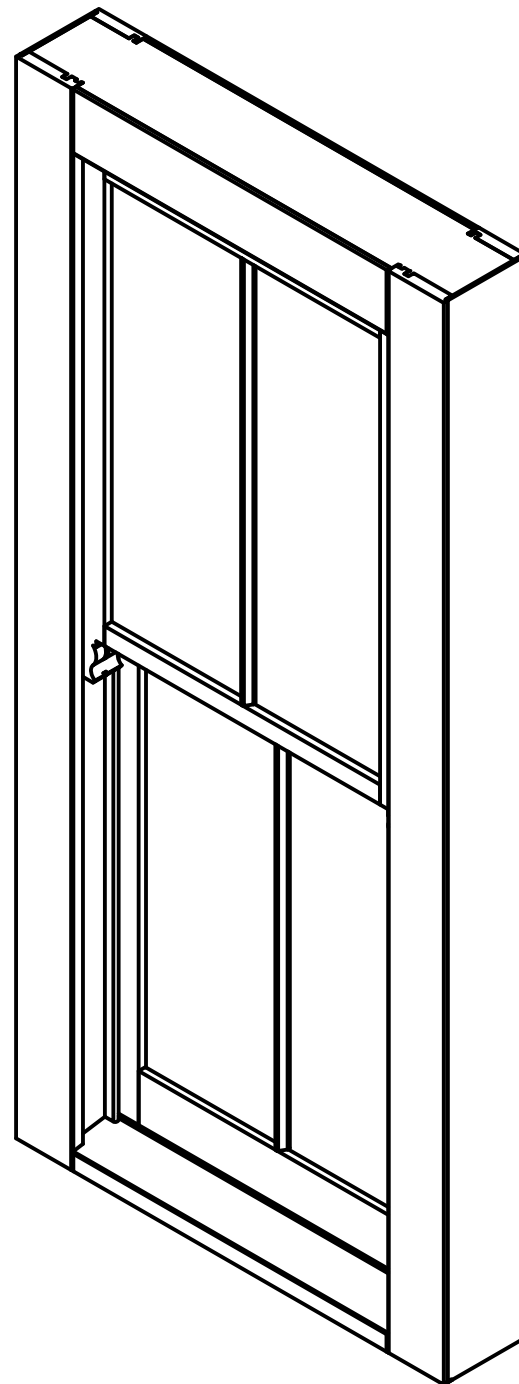


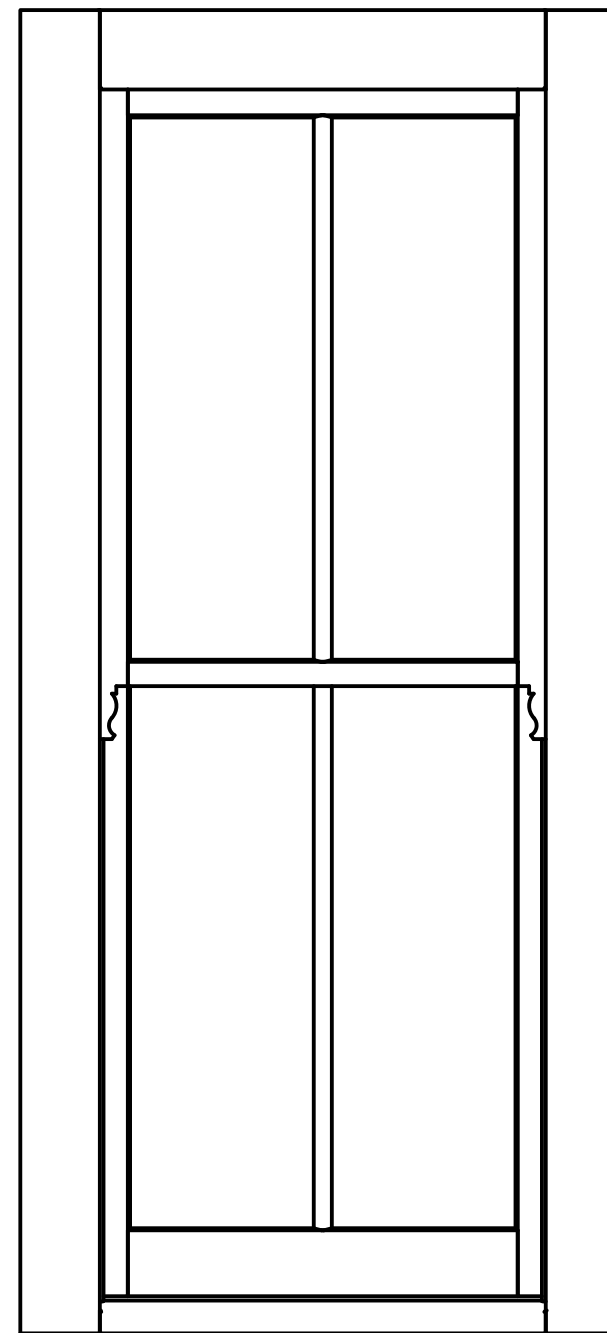
Inside view (1:10)



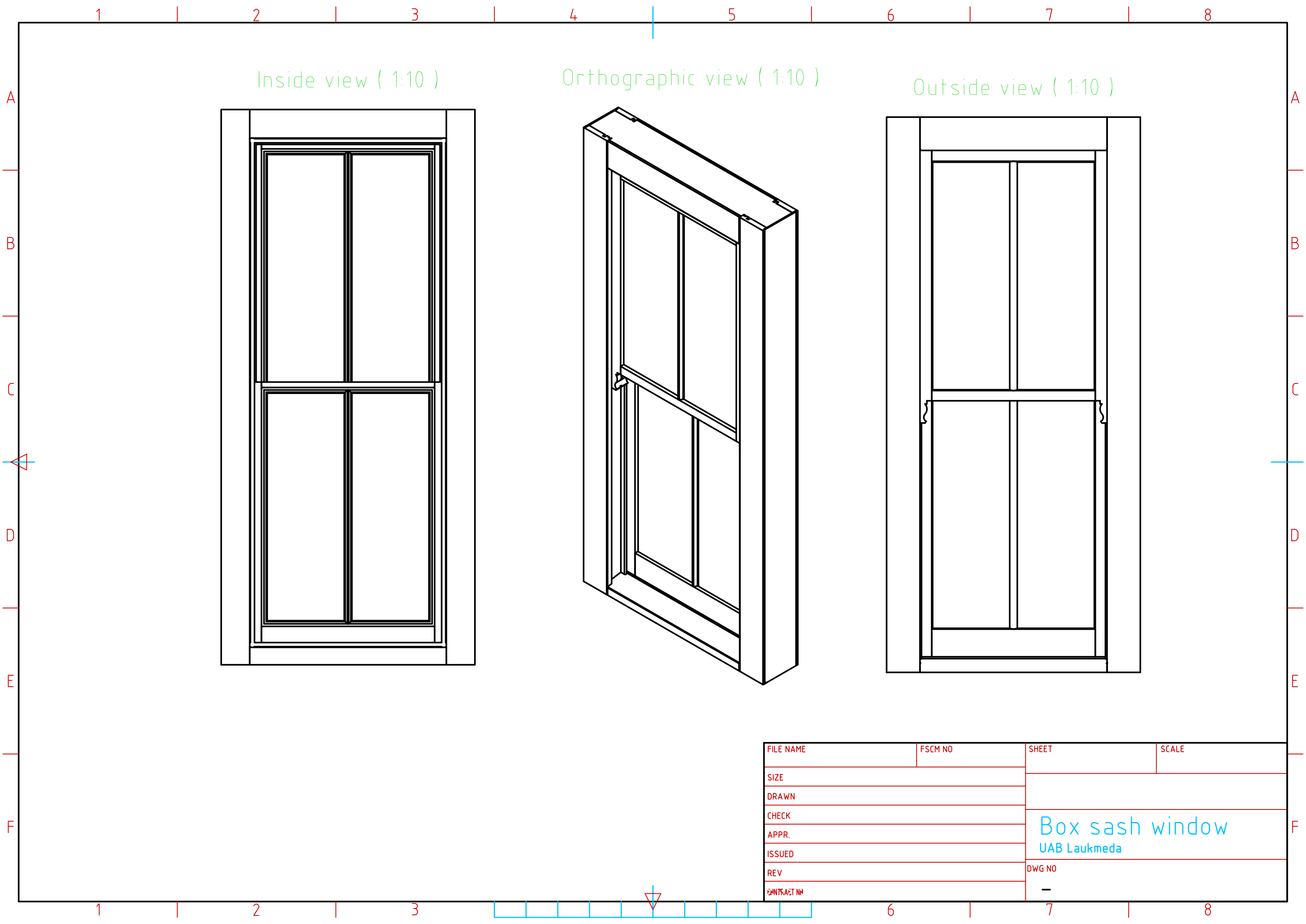
Orthographic view (1:10)



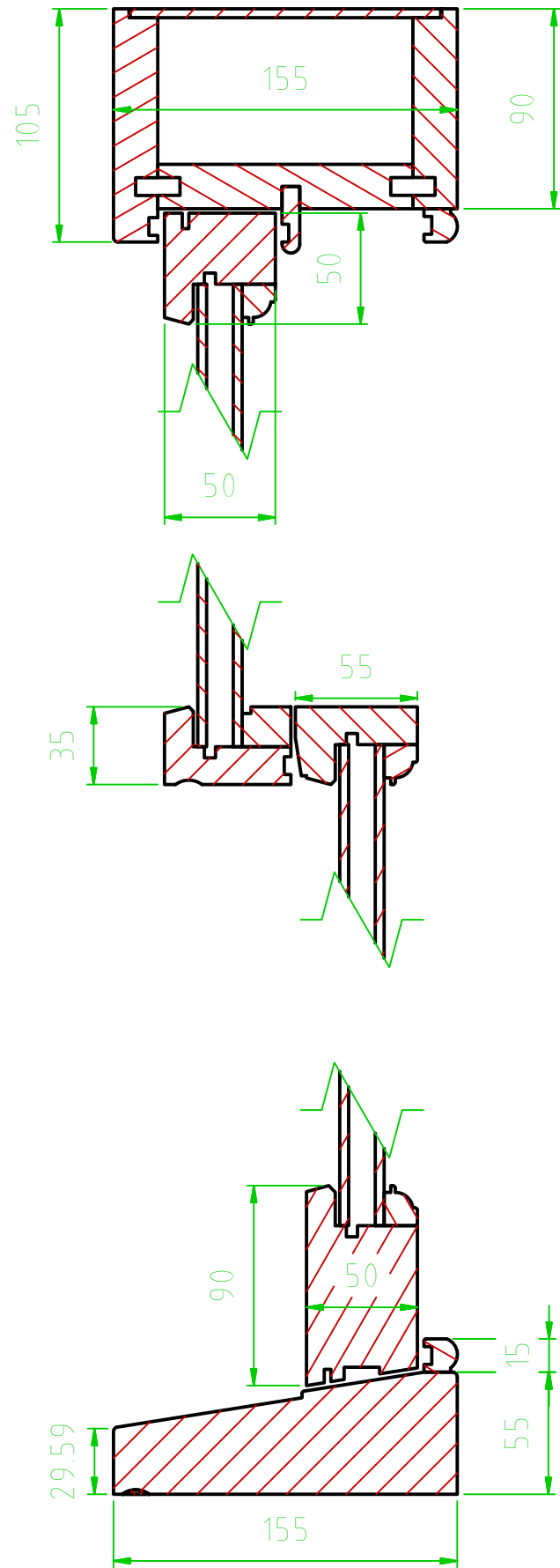
Outside view (1:10)



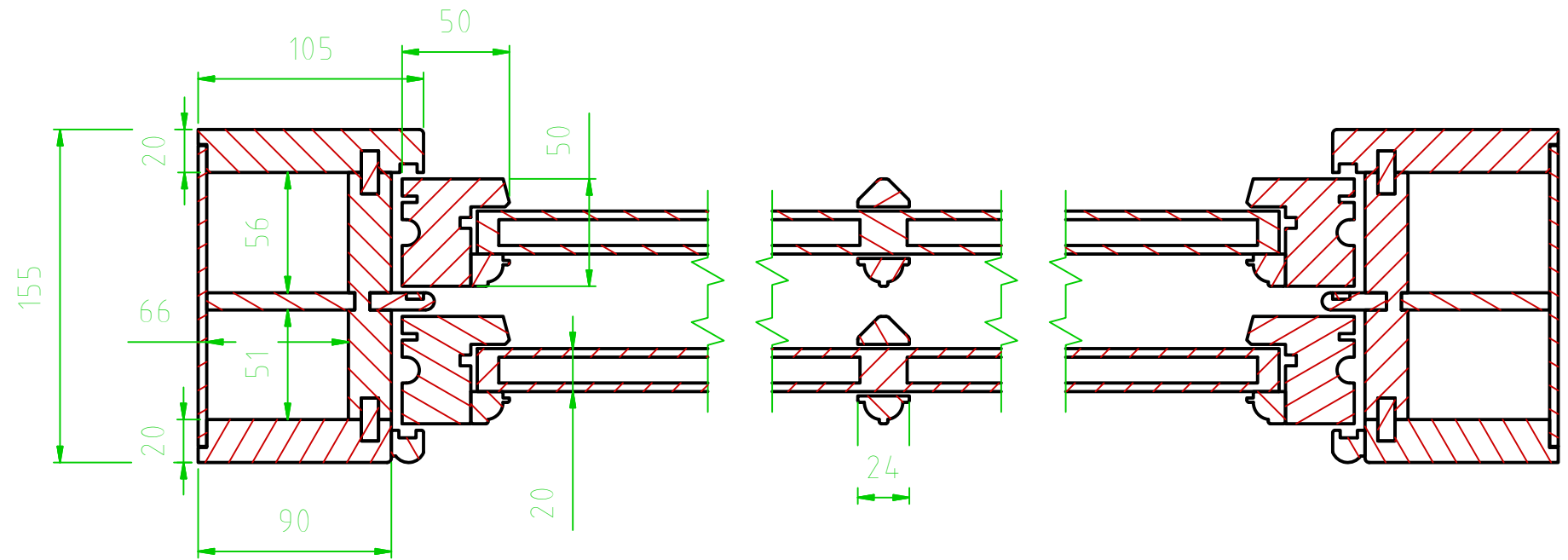
FILE NAME	FSCM NO	SHEET	SCALE
SIZE	<p>Box sash window</p> <p>UAB Laukmeda</p>		
DRAWN			
CHECK			
APPR.			
ISSUED			
REV	DWG NO	-	
CONTRACT NO			



Box sash vertical section



Box sash horizontal section



FILE NAME	FSCM NO	SHEET	SCALE
SIZE			
DRAWN			
CHECK			
APPR.			
ISSUED			
REV			
CONTRACT NO			
		Box sash window	
		UAB Laukmeda	
		DWG NO	
		-	