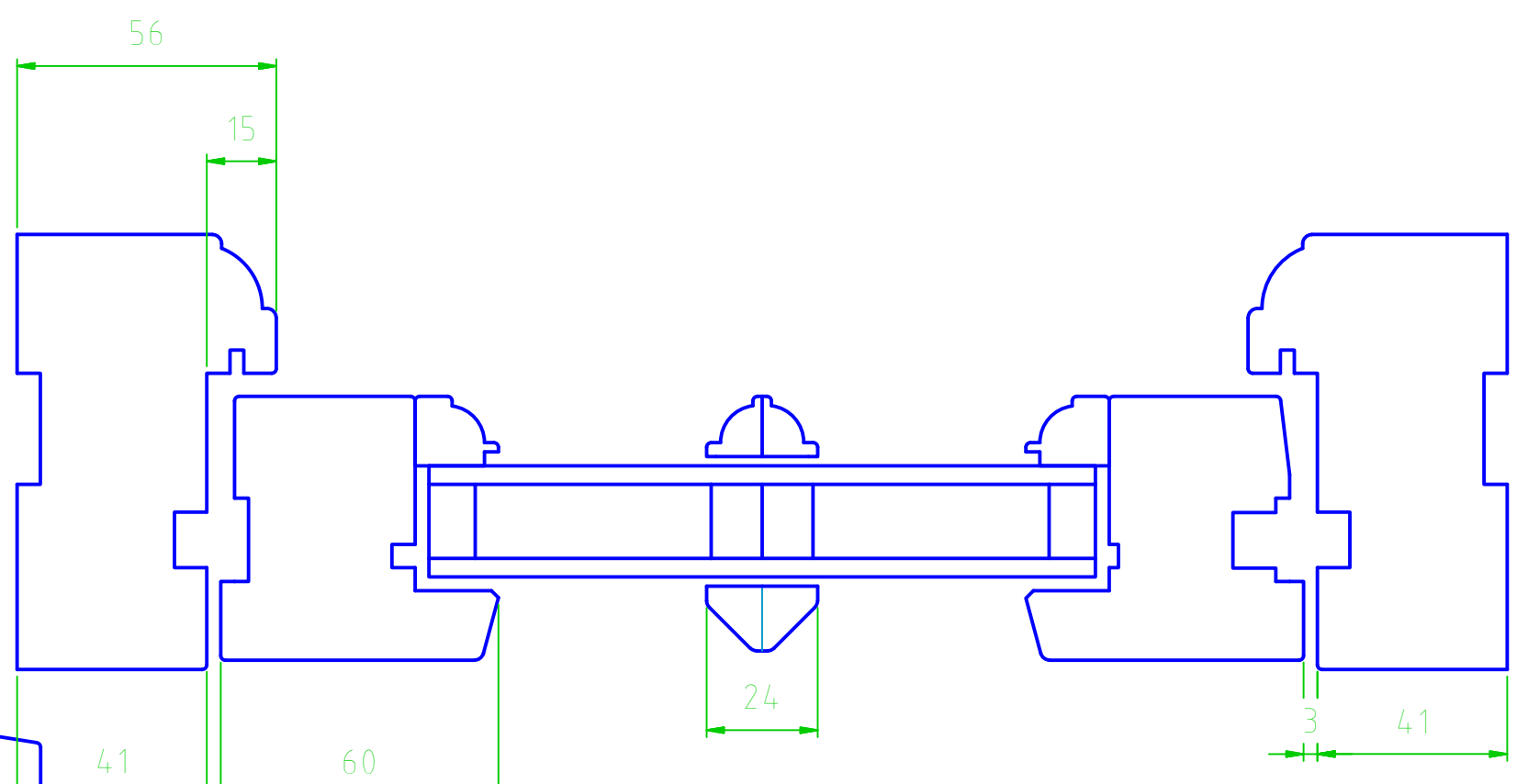


Vertical & horizontal sections (1:1,5)



Optional extension

FILE NAME Flush casement window	FSCM NO	SHEET	SCALE
SIZE	Flush casement window		
DRAWN			
CHECK			
APPR.			
ISSUED			
REV			
CONTRACT NO	DWG NO	-	