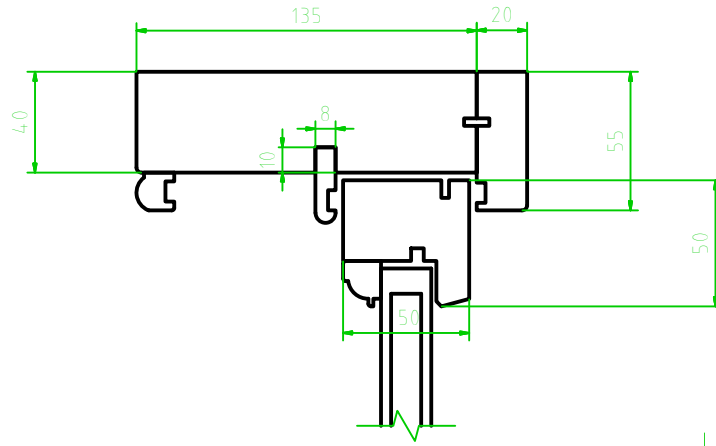
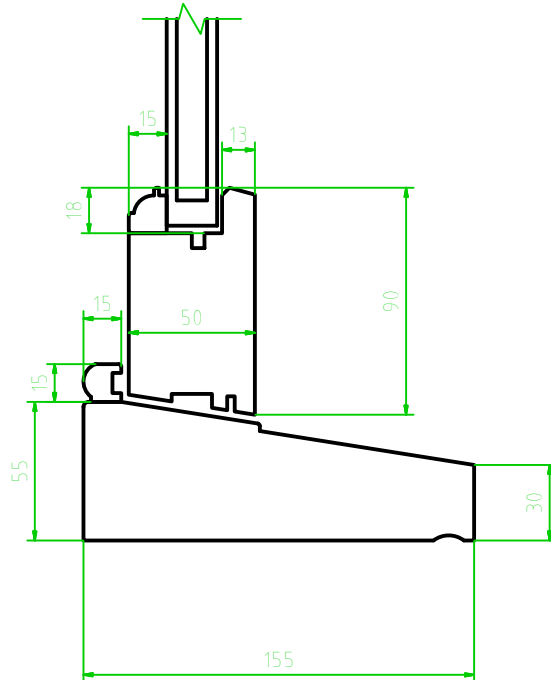
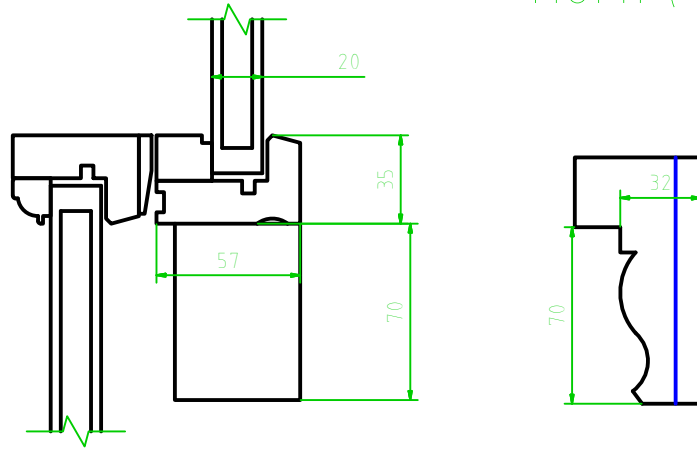


Vertical section (1 : 3)



Horn (1 : 3)



FILE NAME	FSCM NO	SHEET 1 of 1	SCALE
SIZE		Spring sash sections	
DRAWN			
CHECK			
APPR.			
ISSUED			
REV		DWG NO	
CONTRACT NO		-	

1

2

3

4

A

A

B

B

C

C

D

D

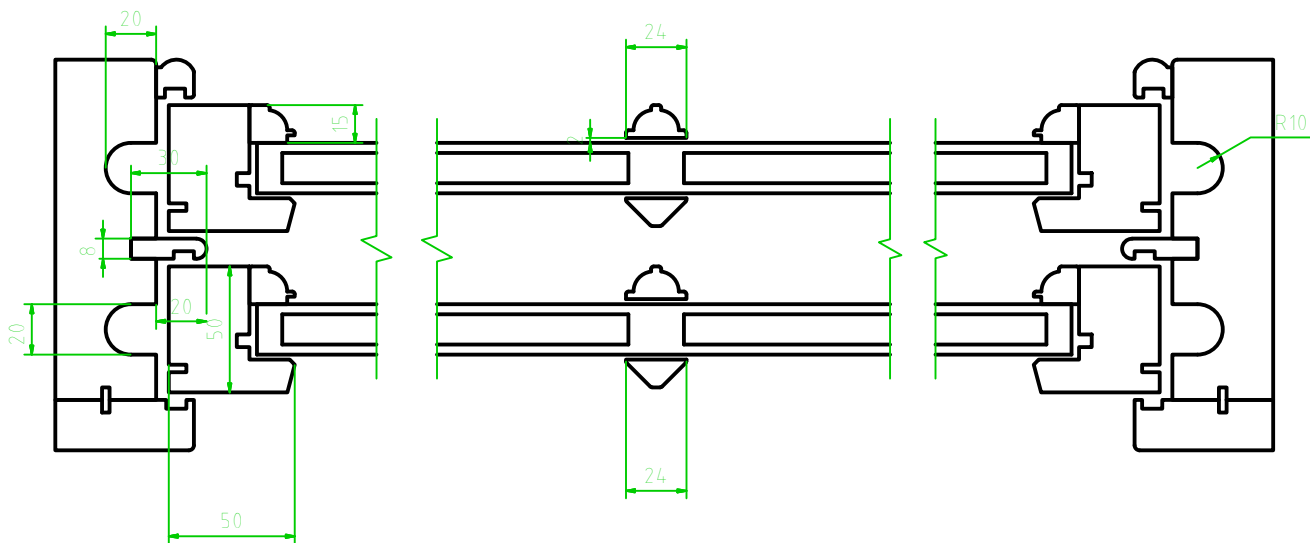
E

E

F

F

Horizontal section (1 : 3)



FILE NAME	FSCM NO	SHEET 2 of	SCALE
SIZE		Spring sash sections Horizontal section	
DRAWN			
CHECK			
APPR.			
ISSUED			
REV		DWG NO	
CONTRACT NO		-	

1

4

1 | 2 | 3 | 4

A

A

Норн (1:1)

B

B

C

C

D

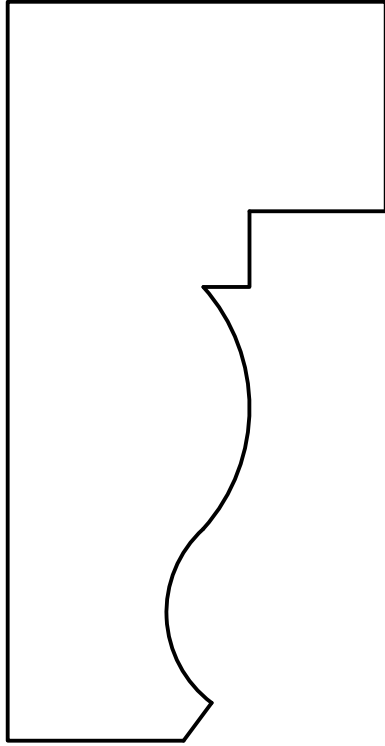
D

E

E

F

F



FILE NAME	FSCM NO	SHEET	SCALE
SIZE			1:1
DRAWN			
CHECK			
APPR.			Horn
ISSUED			
REV		DWG NO	
CONTRACT NO			-

1 | 4

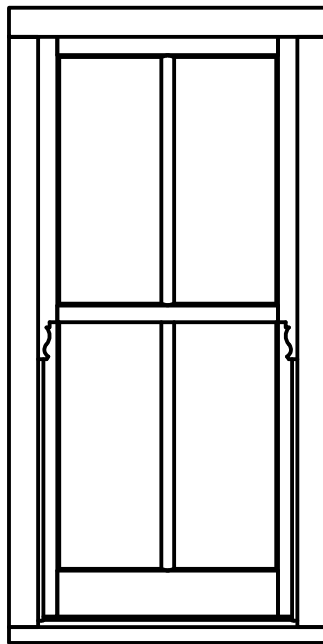
1

2

3

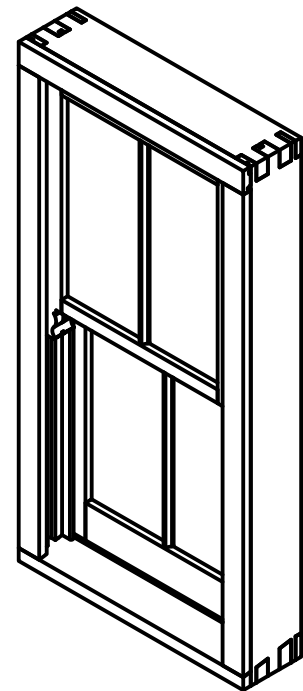
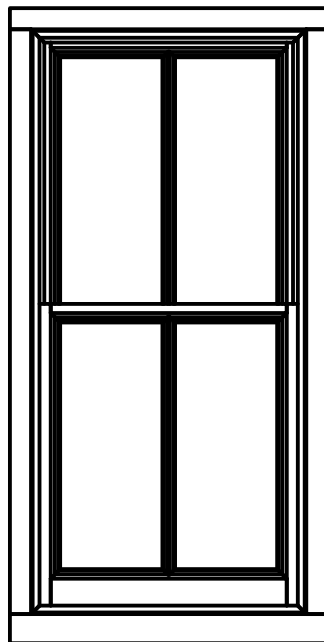
4

Outside view



Orthographic view

Inside view



FILE NAME	FSCM NO	SHEET	SCALE
SIZE	Spring sash		
DRAWN			
CHECK			
APPR.			
ISSUED			
REV	DWG NO	-	
CONTRACT NO			

1

4