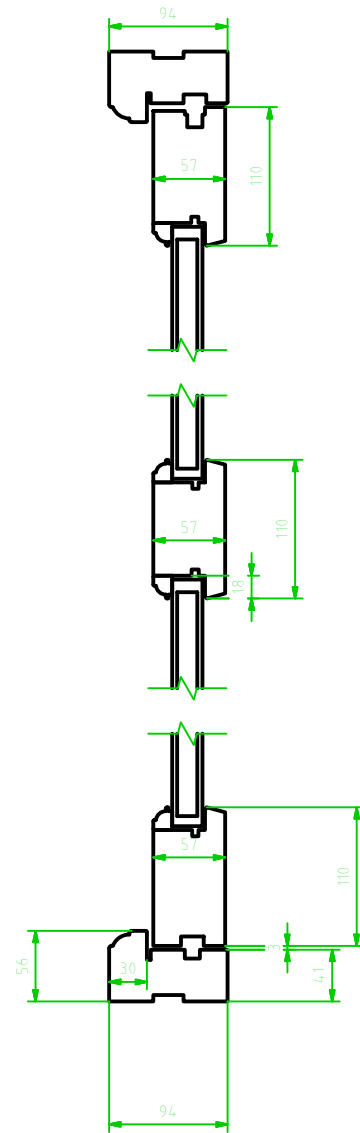
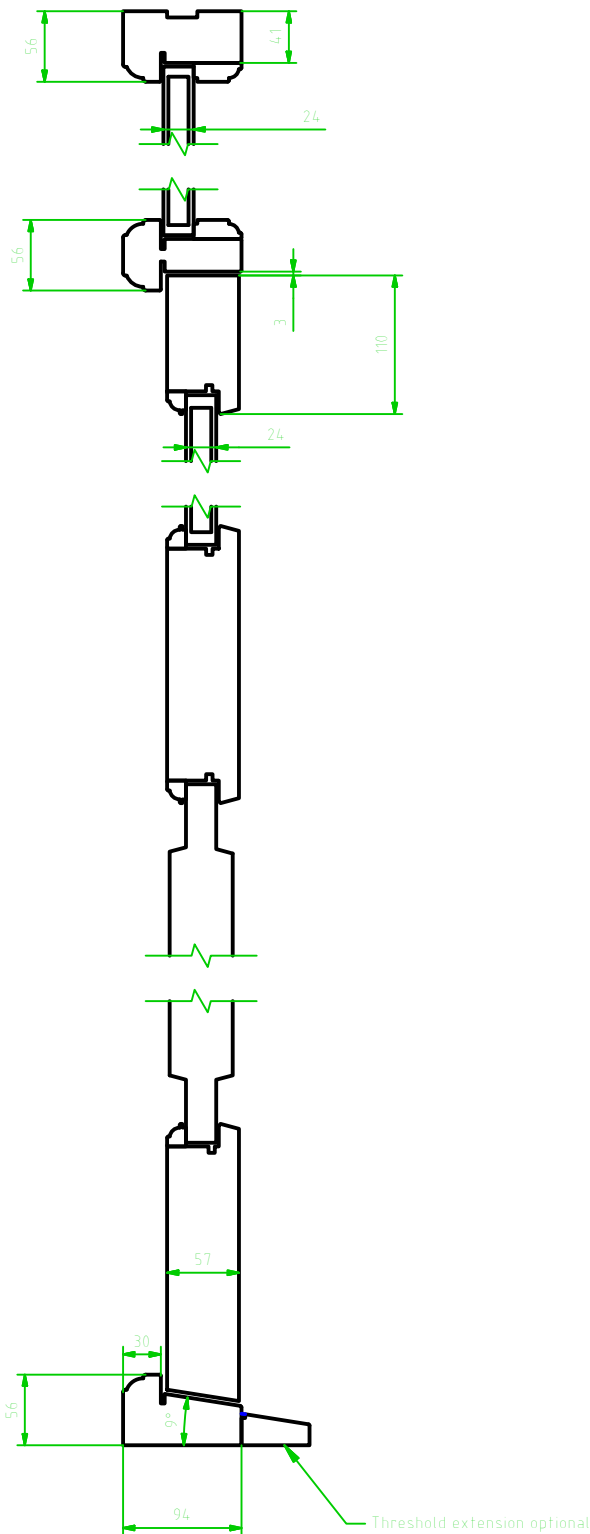


Vertical section ( 1:6 )

Horizontal section ( 1:6 )



FILE NAME hwhh101	FSCM NO	SHEET 1 of 1	SCALE 1:6
SIZE		<b>Casement Door</b> Outside opening	
DRAWN			
CHECK			
APPR.			
ISSUED			
REV		DWG NO	
OWNER/CLIENT			-