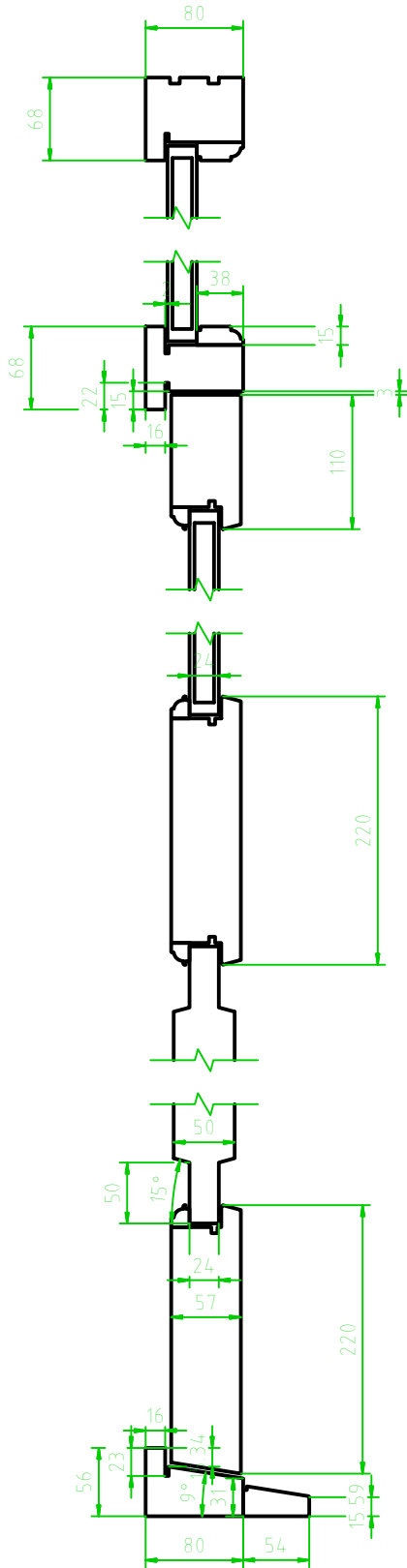
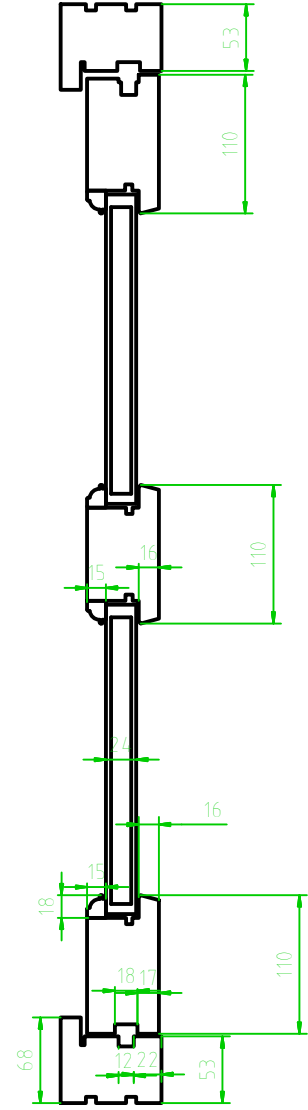


Vertical section (1:6)



Horizontal section (1:6)



| | | | |
|-------------|---------|---|--------------|
| FILE NAME | FSCM NO | SHEET 1 of 1 | SCALE 1:6 |
| SIZE | | Casement door type 2 Outside opening | |
| DRAWN | | | |
| CHECK | | | |
| APPR. | | | |
| ISSUED | | | |
| REV | | DWG NO | |
| CONTRACT NO | | - | |